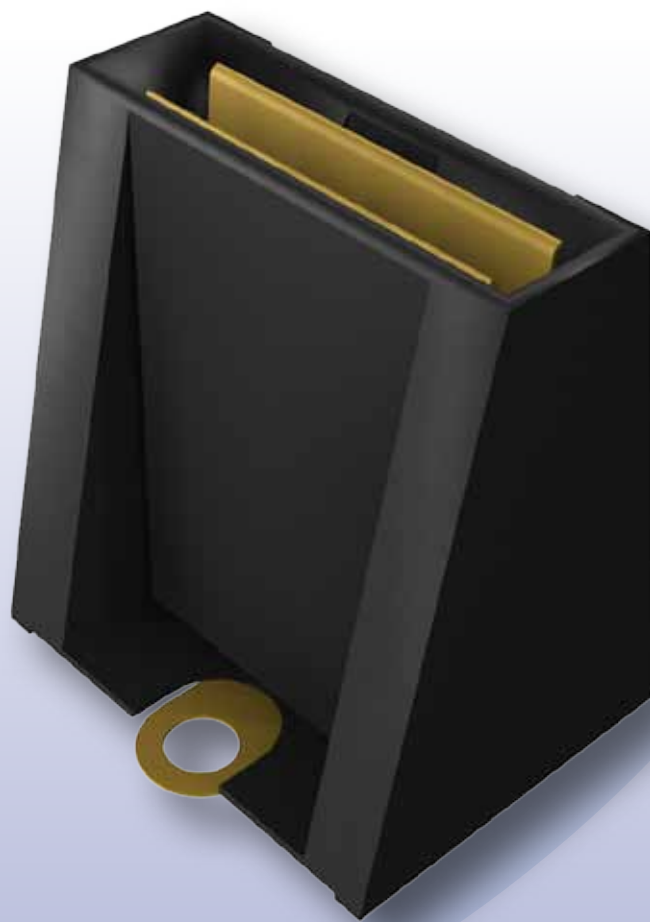


HIPO Power Clip

Pluggable Bus Bar Connections



HIPO Power Clip

Pluggable Bus Bar Connections

Product features

- Compact design
- High performance HIPO BAND contacts, current ratings up to 200 Amps
- Mates with solid or laminated blades
- Supports true Hot Plug (current interruption)
- Float mount option reduces mating forces
- Meets UL (USR & CNR), CSA and TUV safety requirements

Description

HIPO CLIP sockets are compact, high-current socket connectors for high current bus bar power distribution. Using HIPO high performance HIPO BAND technology, HIPO CLIP sockets are available in single pole format to mate with a solid blade, handling up to 200 Amps, or in dual pole format to mate with laminated bus bar tabs for feed and return currents.

Product highlights

Hot Plug design

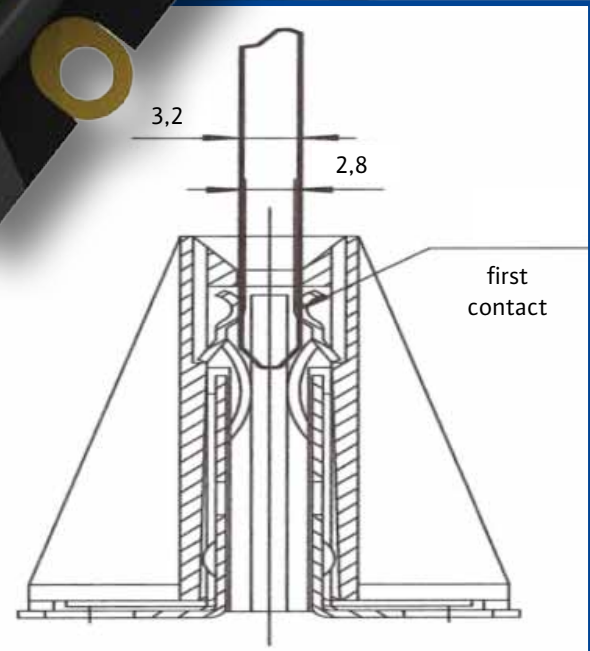
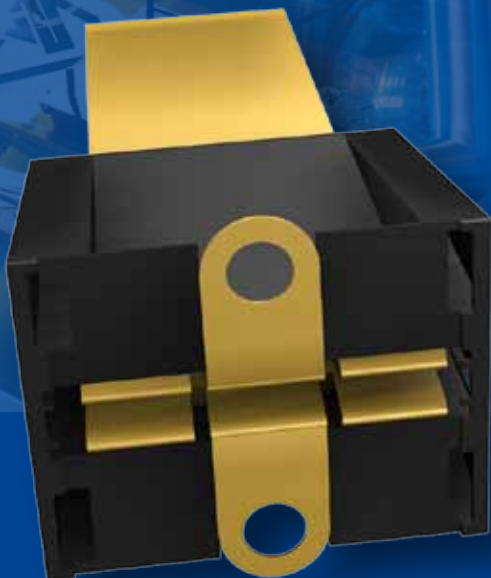
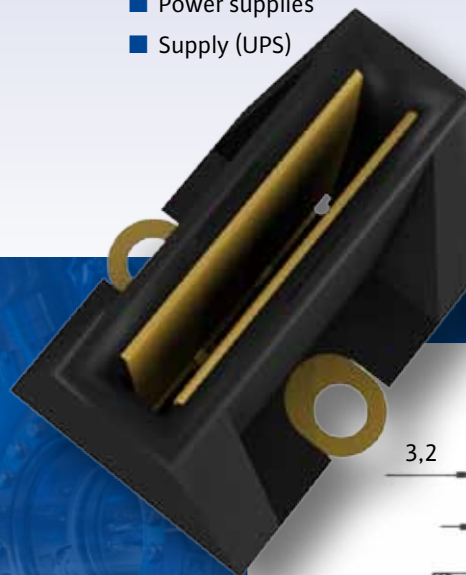
HIPO CLIP sockets also comply with safety regulatory requirements for current interruption under load. Compliance is achieved by a contact design that restricts the effects of arcing to areas that do not compromise the integrity of the connection. Hot plugging requires a gold plated mating blade

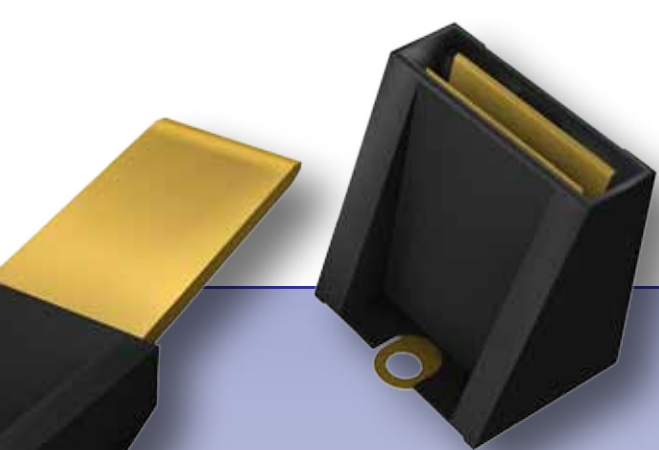
Safety agency compliance

HIPO CLIP sockets comply with the UL1977 standard and CSA standard C22.2 No. 182.3- M1987.

Typical applications

- Bus bar based power distribution
- Power racks
- Rack mounted switching power supplies
- Power supplies
- Supply (UPS)





Information

Part Number: DL-1Z A001

Notes

- Current interruption hot plug uses a gold plated, solid mating tab, and is not currently supported using a laminated mating tab
- TUV certification pending for HIPO Power CLIP socket

Technical specification environmental performance

Range of temperature: -55°C - 125°C
 Humidity: 93% at 40°C
 Shock: 85 ms²
 Vibration: 10 Hz - 2000 Hz
 Acceleration: 85 ms²
 Max. dimensions of housing: 31,8 x 27 x 36 mm
 Mated connector 3,2 +0,0-0,0
 copper plate with gold plating

Connector operation requirement (mounted in the equipment)

When mating the connectors mounted on the panels, the suggested mating speed should not exceed 6 cycles per second. The entire structure of the equipment should meet the mating need of the connectors.

Materials

Insulator	Polyester, UL 94-V-0
HIPO Band	Beryllium copper, selectively plated with gold per MIL-G-45204, Type II, over nickel per QQ-N-290, Class 2 (30µ in gold, 40µ in nickel)
HIPO Holder	copper alloy

Electrical

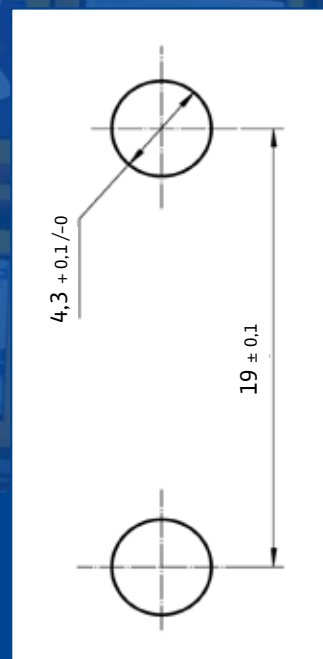
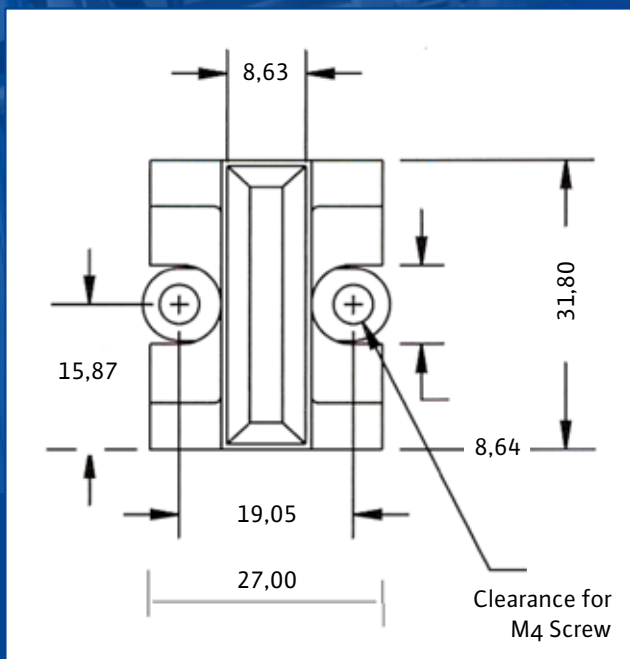
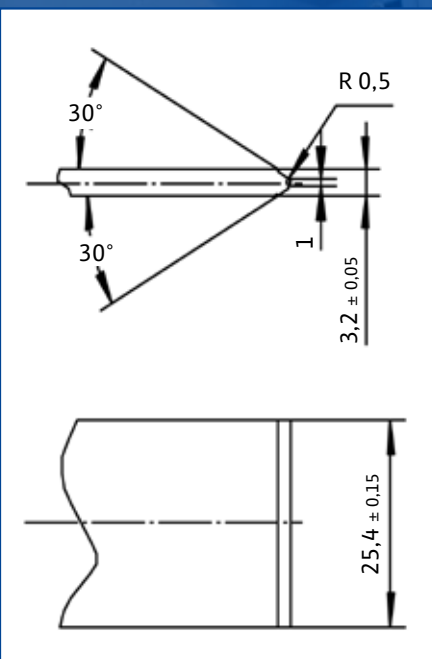
Current ratings Hot Plug gold plated solid tab 200 A maximum

Mechanical forces

Insertion 45 N. max.
 Extraction 27 N. min.

Mating blade specification

Mounting dimension: Minimum length: . . . 16,51 mm
 Maximum width: 25,40 mm





HIPO Systems GmbH

Köttinger Weg 102a
D 57537 Wissen
Phone: (018 05) 44 76 46
Fax: (018 05) 44 76 32

e-mail: contact@hipo-systems.com
www.hipo-systems.com