

CZ 15 connector with 47 contacts

August 2005

HIPO Systems GmbH

Köttinger Weg 102a

57537 Wissen

Tel: 01805-447646

Fax: 01805-447632

Email: contact@hipo-systems.com

CZ 15 connector with 47 contacts

Item: Rectangular connector with 47 contacts

Type: Receptacle: CZ15Z47BJ, CZ15Z47BJA001 (without power contacts Pos. 45,46, 47)

Plug: CZ15T47WJ, CZ15T47WJA001 (without power contacts Pos. 45,46, 47)

Approvals:

UL: UL 1977 File No. E203642

CUL: 22.2 No. 182-M1987

TUV: IEC/EN 61984:2001

RoHS: EU Directive 2002/95/EC - Compliant

- **Technical parameters:**

- **Electrical Characteristics**

- ▲ Contact Resistance: AWG16 contacts $\leq 0.7\text{m}\Omega$ and AWG 22 contacts $\leq 4\text{m}\Omega$

- ▲ Current Rating:

- AWG 16 contact numbers 45,46,47 40A, numbers 1-20 28A and AWG 22 contacts 3A

- ▲ Working Voltage

- Contacts 45,46,47 1000V r.m.s

- Contacts 1-20 500V r.m.s

- Contacts 21-4 333V r.m.s

- Proof Voltage

:

- Contacts 45, 46,47 3000V r.m.s

- Contacts 1-20 1500V r.m.s

- Contacts 21-44 1000V r.m.s

- ▲ Insulation resistance

- $\geq 5000\text{M}\Omega$ (ambient temperature),

■ Mechanical characteristics

- ▲ Insertion and Extraction force of Contacts:
AWG 16contacts 0.8 to2.0N AWG 22 contacts 0.3 to 0.8N.
- ▲ Insertion and Extraction force of connectors: No larger than twice that of the extraction force of a single contact.
- ▲ Service life 500 cycles

■ Environmental characteristics

- ▲ High humidity 95% at 40 C
- ▲ Operating Temperature:-55 C to +125 C

■ Material and surface treatment

- ▲ Insulator material and processing

Material: PET T102 G30(BK) (TH3013);black UL94V-0
Safety specification certificate: UL E107536

- ▲ Contact material, processing and surface treatment

Material: High conductivity copper alloy.
Processing method: Machine processing
Contact plating: Gold over Nickel

HIPO Systems GmbH

- Other information

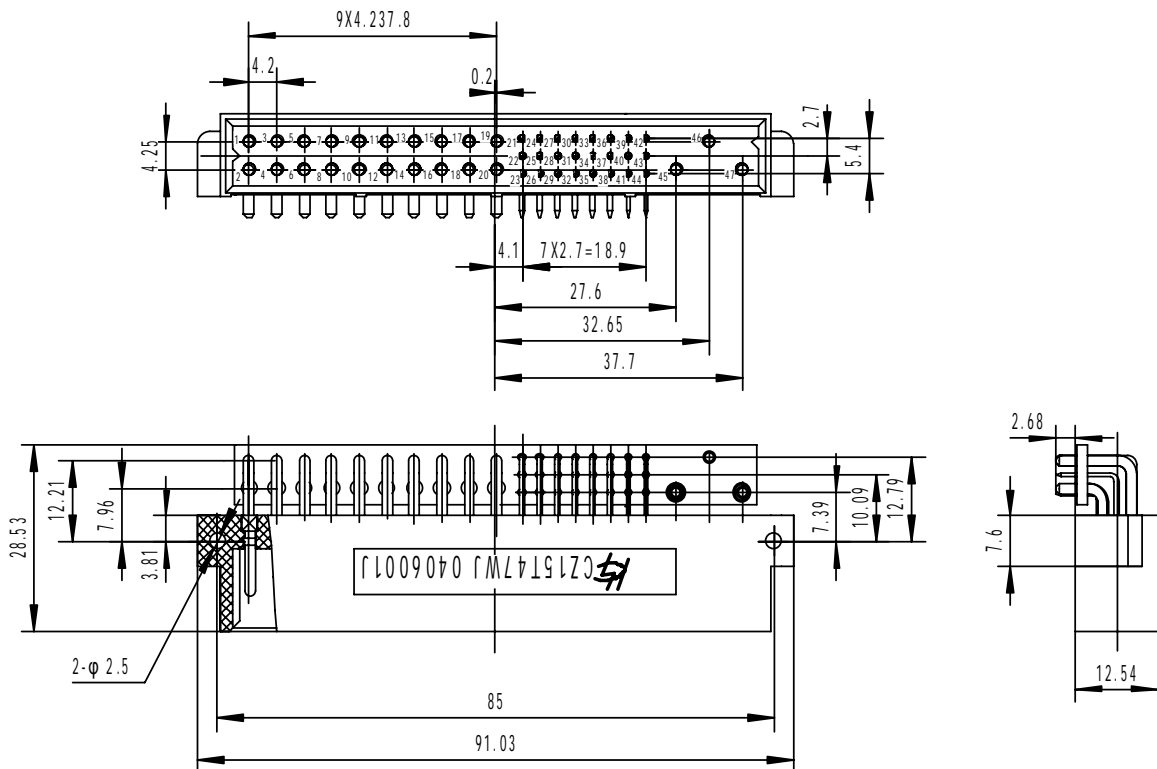
- Packaging and Storage

The connectors are supplied in paper boxes along with the packing list (approved certificate). The product code, type, quantity, the name of the inspector, date of manufacture, name of manufacturer and order number are marked on the packing list and on the outside of the carton. Each carton contains product from the same manufacturing batch only with the relevant shipping marks, as specified in GE191, on the outside..

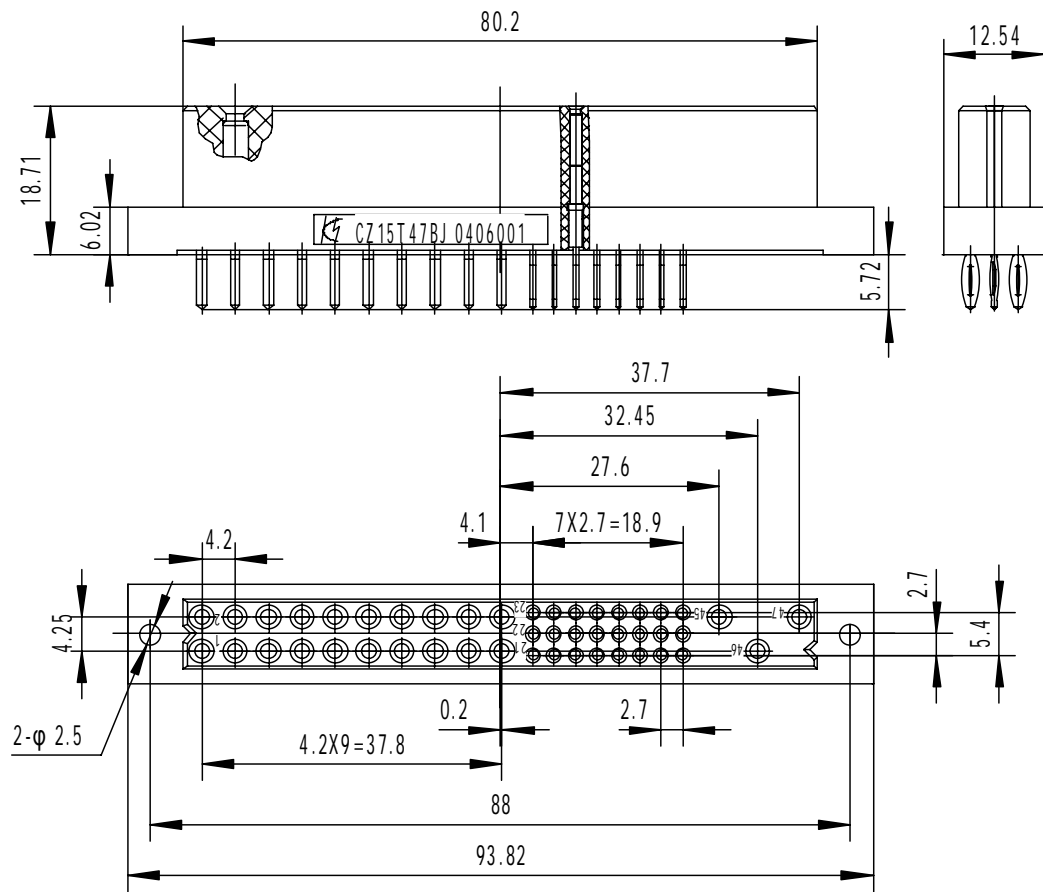
The products should be stored in a place with an environmental temperature of +5 C to +35 C, a relative humidity below 80%, and without contact with acid gas, alkaline gas and other corrosive gases. The storage period should be no longer than five years from the date of manufacture.

- Drawings :

Plug CZ15T47WJA001 (without power contacts Pos. 45,46, 47)



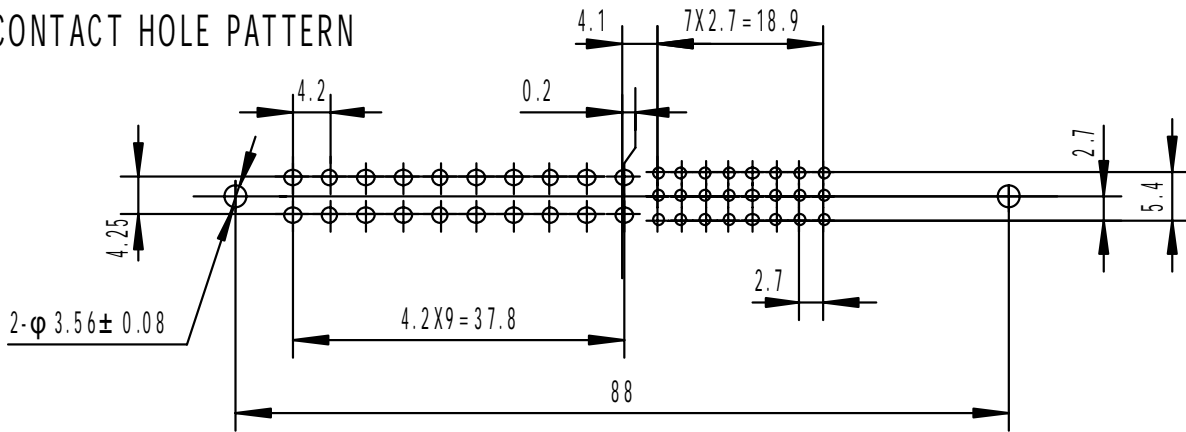
Receptacle CZ15Z47BJA001 (without power contacts Pos. 45,46, 47)



HIPO Systems GmbH

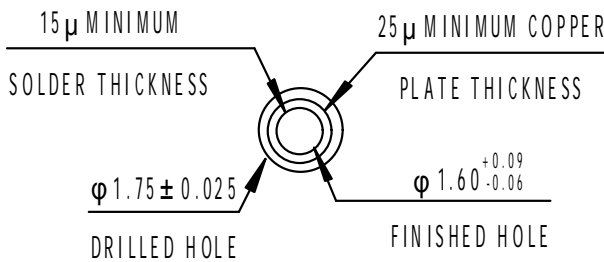
CZ15Z47BJA001 Recommended hole dimensions on PCB

CONTACT HOLE PATTERN

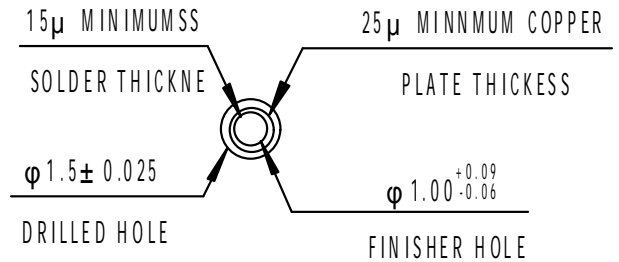


NOTE : 1. SUGGEST 2.29 ~ 4.45 FOR BOARD THICKNESS.

2. SUGGEST $\phi 3.56 \pm 0.08$ HOLES FOR CONNECTOR MOUNTING POSITIONS.



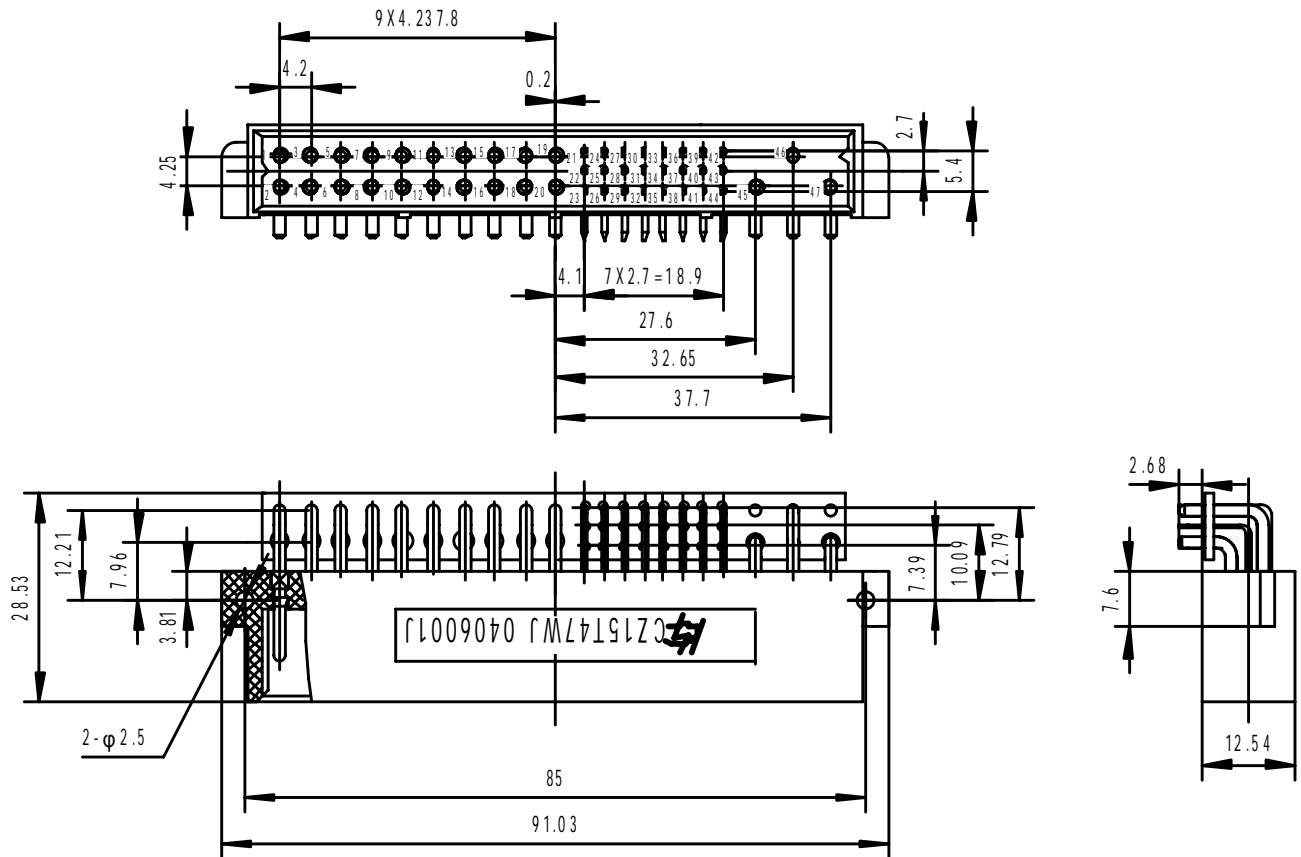
SIZE 16 PRESS-FIT CONTACT HOLE



SIZE 20 AND 22 PRESS-FIT CONTACT HOLE

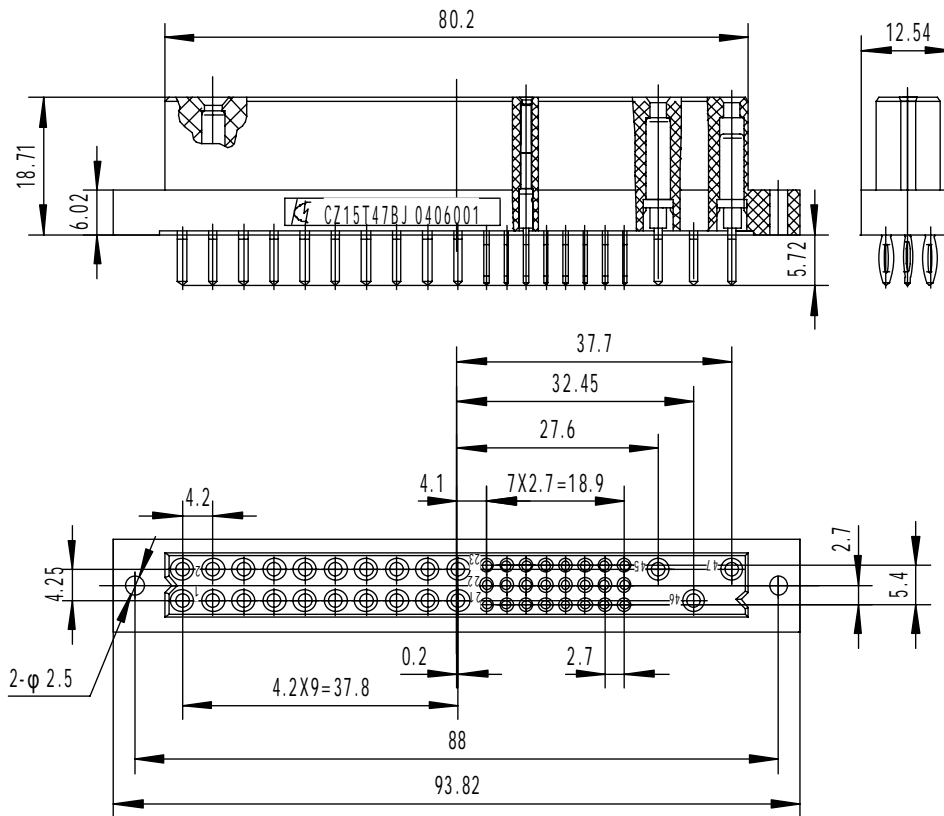
HIPO Systems GmbH

Plug CZ15T47WJ



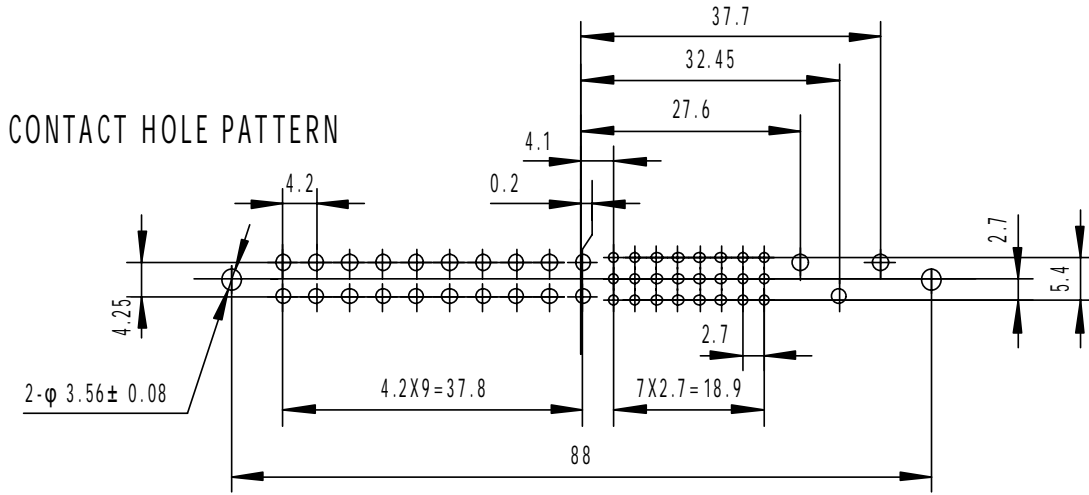
HIPO Systems GmbH

Receptacle CZ15Z47BJ

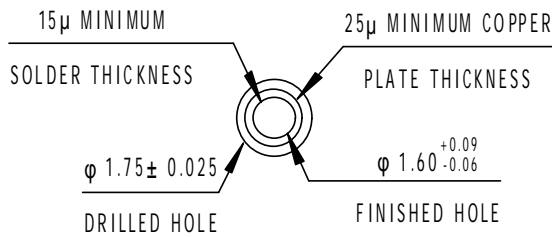


HIPO Systems GmbH

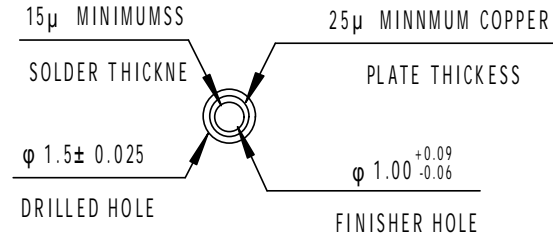
CZ15Z47BJ Recommended hole dimensions on PCB



- NOTE : 1. SUGGEST 2.29 ~ 4.45 FOR BOARD THICKNESS.
 2. SUGGEST $\phi 3.56 \pm 0.08$ HOLES FOR CONNECTOR MOUNTING POSITIONS.



SIZE 16 PRESS-FIT CONTACT HOLE



SIZE 20 AND 22 PRESS-FIT CONTACT HOLE