



HIPO
Systems GmbH

07/2010

**DL2T plug
and
DL2Z receptacle
Data sheet**



**This power connector designed for high current
power distribution in pluggable power supply
applications of up to 2000W or more.**

Features:

#Currents to 150A,200A on a busbar

#Terminations types crimp and internal threads

#Low insertion force

#Guide pin option

Applications:

#Low noise supplies

#Switch-mode power supplies

#Systems requiring mounting

#Hot pluggable power supplies

Electrical performance

- ▲ Contact Resistance) : $\leq 0.4\text{m}\Omega$
- ▲ Rated current) : 150A / 200A
- ▲ Voltage rating) : 1500VAC
- ▲ Insulation Resistance : $\geq 500\text{M}\Omega$; $\geq 20\text{M}\Omega$

■Mechanical performance

- ▲ Mating cycles : 500(cycles)

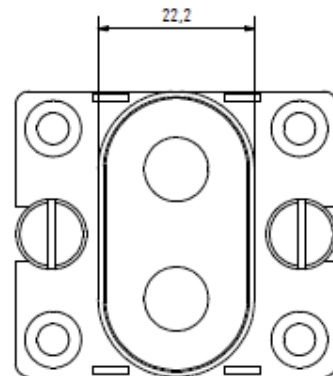
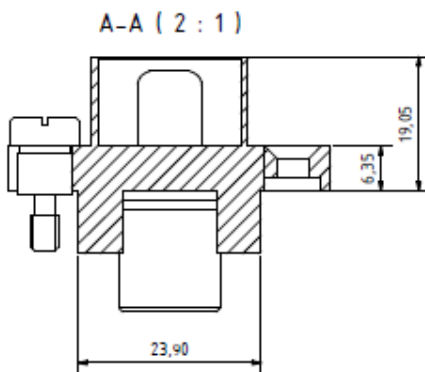
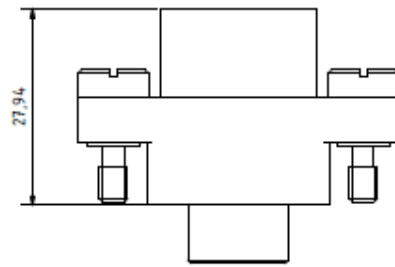
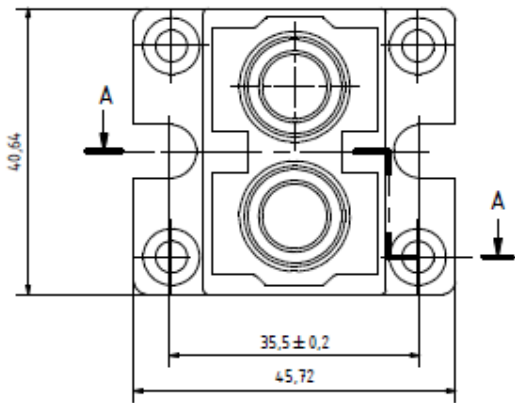
■Material and surface treatment

- ▲ Contact : Copper Alloy
- ▲ Surface: Silver Plating 5 ~ 8 μm
or
- ▲ Gold Plating 0.3 ~ 0.6 μm
- ▲ Material Housing: UL 94 V-0

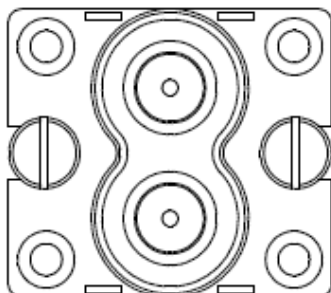
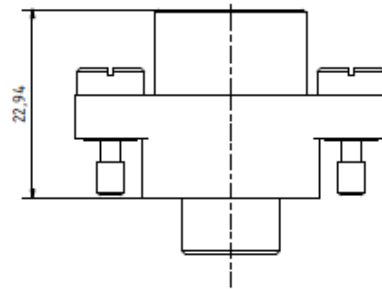
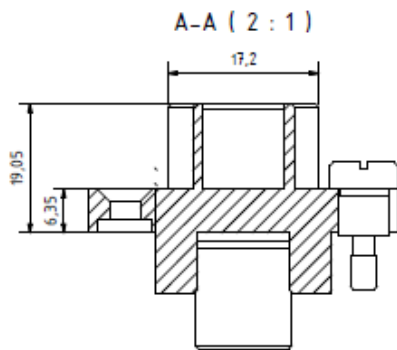
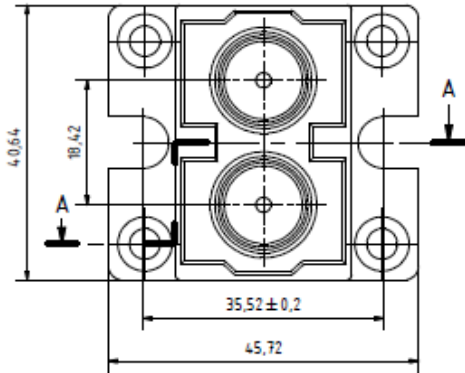
■Operation environment

- ▲ Temperature Range : $-55^{\circ}\sim +125^{\circ}$
- ▲ Humidity 40% , 95%
- ▲ vibration : 98m/s^2 10 ~ 2000Hz
- ▲ concussion : 98 m/s^2

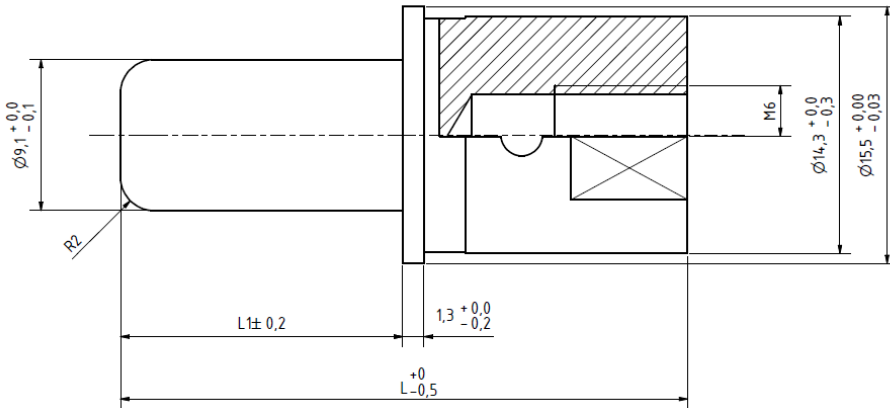
Dimensions DL2T plug



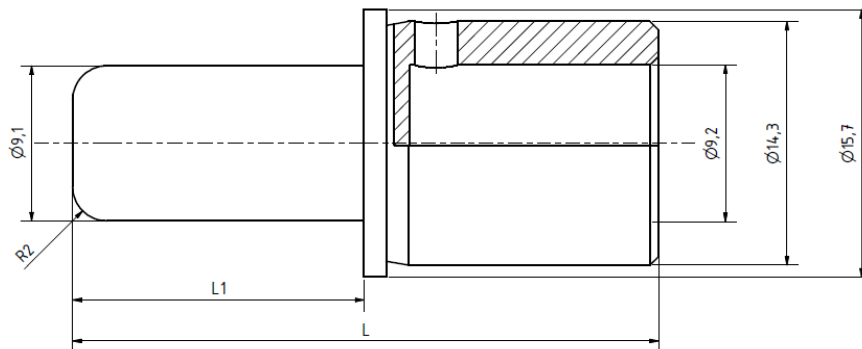
Dimensions DL2Z receptacle



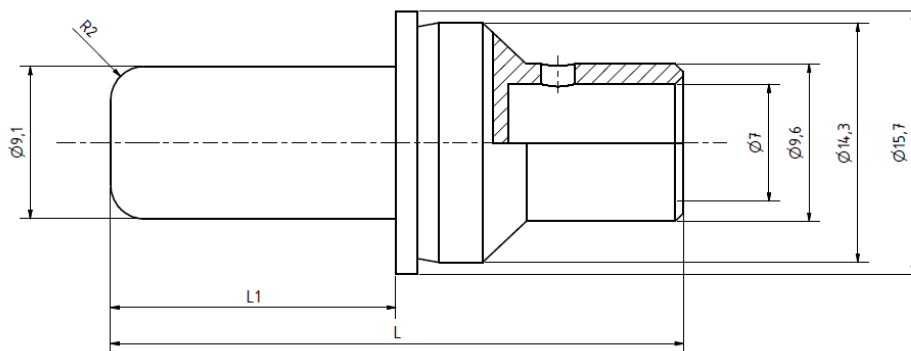
PIN Contacts



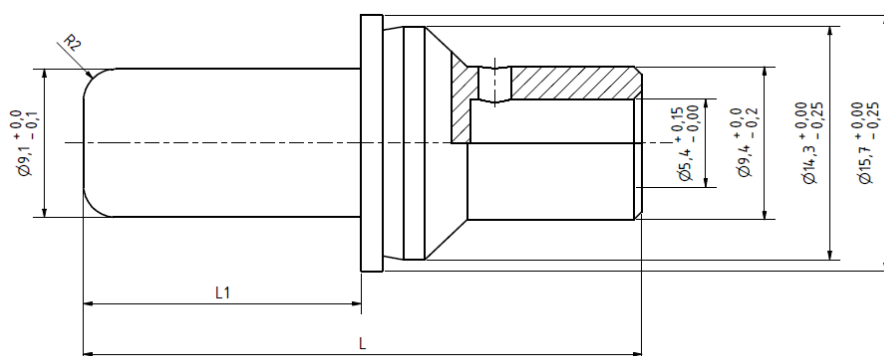
	L1	L
OZLAgL	17	34.2
OZLSgS	15.4	32.6



	L	L1
OZYLAuL-01	34.2	17
OZYAuS-01	32.6	15.4
OZYAgL-01	34.2	17
OZYAgS-01	32.6	15.4



	L	L1
OZYLAuL-02	34.2	17
OZYAuS-02	32.6	15.4
OZYAgL-02	34.2	17
OZYAgS-02	32.6	15.4

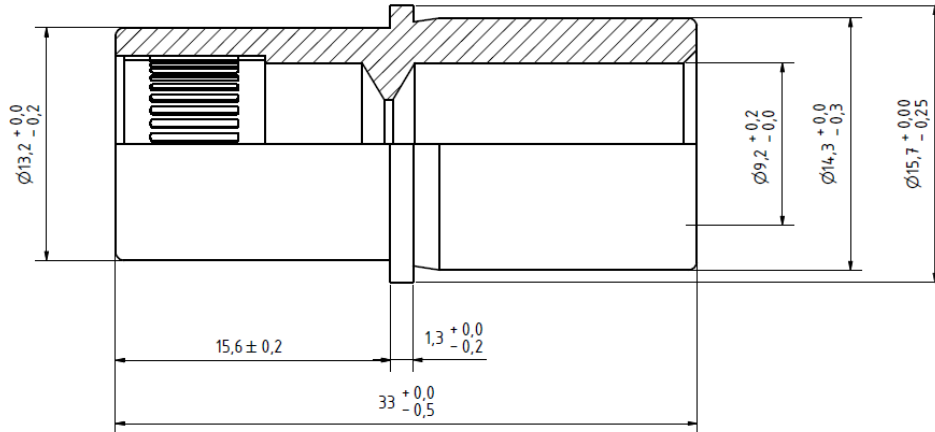


	L	L1
OZYLAuL-03	34.2	17
OZYAuS-03	32.6	15.4
OZYAgL-03	34.2	17
OZYAgS-03	32.6	15.4

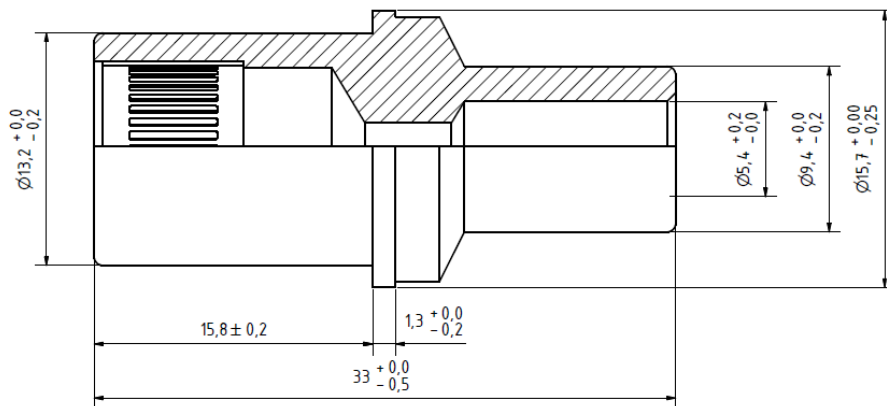
Socket Contacts



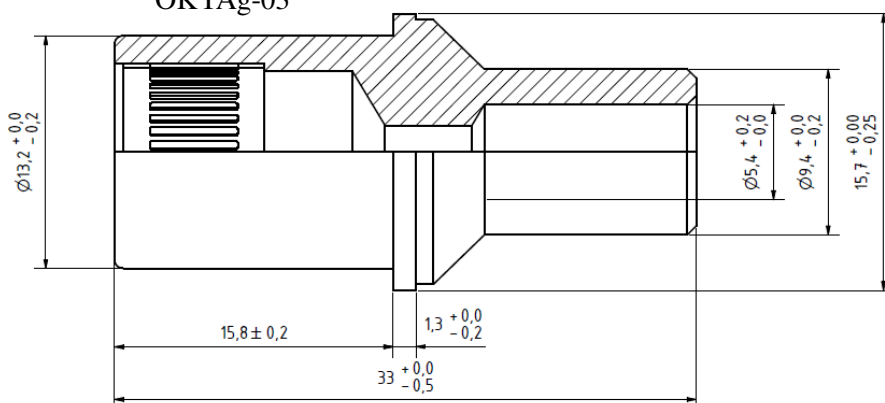
OKYAg-01



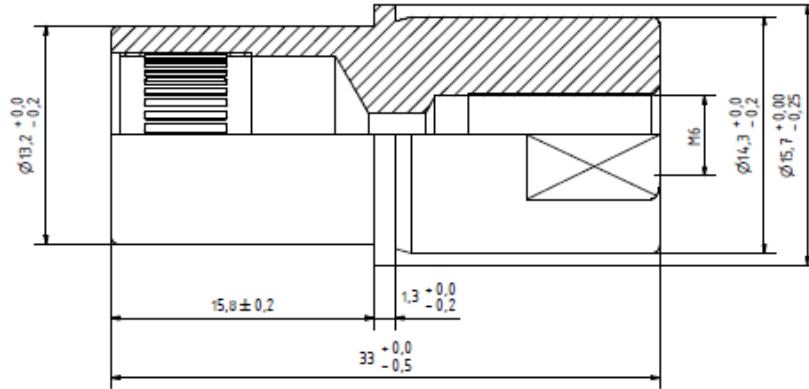
OKYAg-02



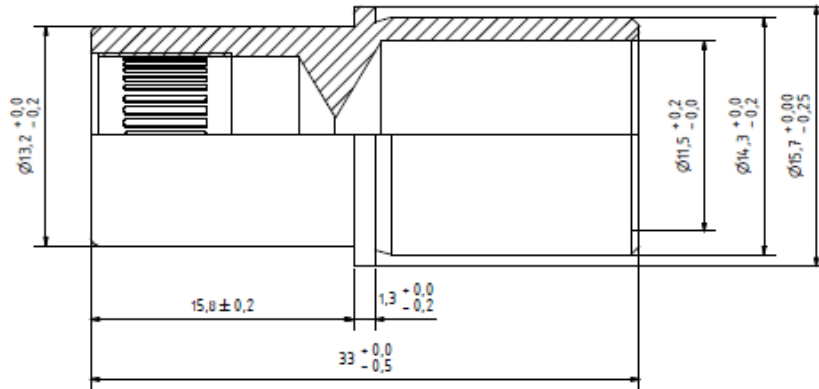
OKYAg-03



OKLAg



OKYAg

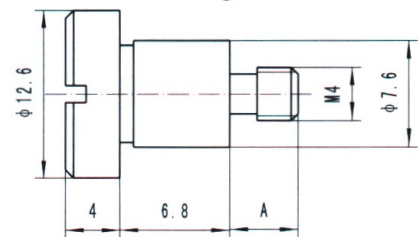


Mounting Feature

Connector housing could be fixed mounting, or float mounting by screw and nut for dimension deviation.

Description:	Mounting screw	Mounting screw
Part No.:	part.no.: 256265-01	part.no.: 256254-01
A	8 mm	5 mm

Mounting screw



Mounting nut

